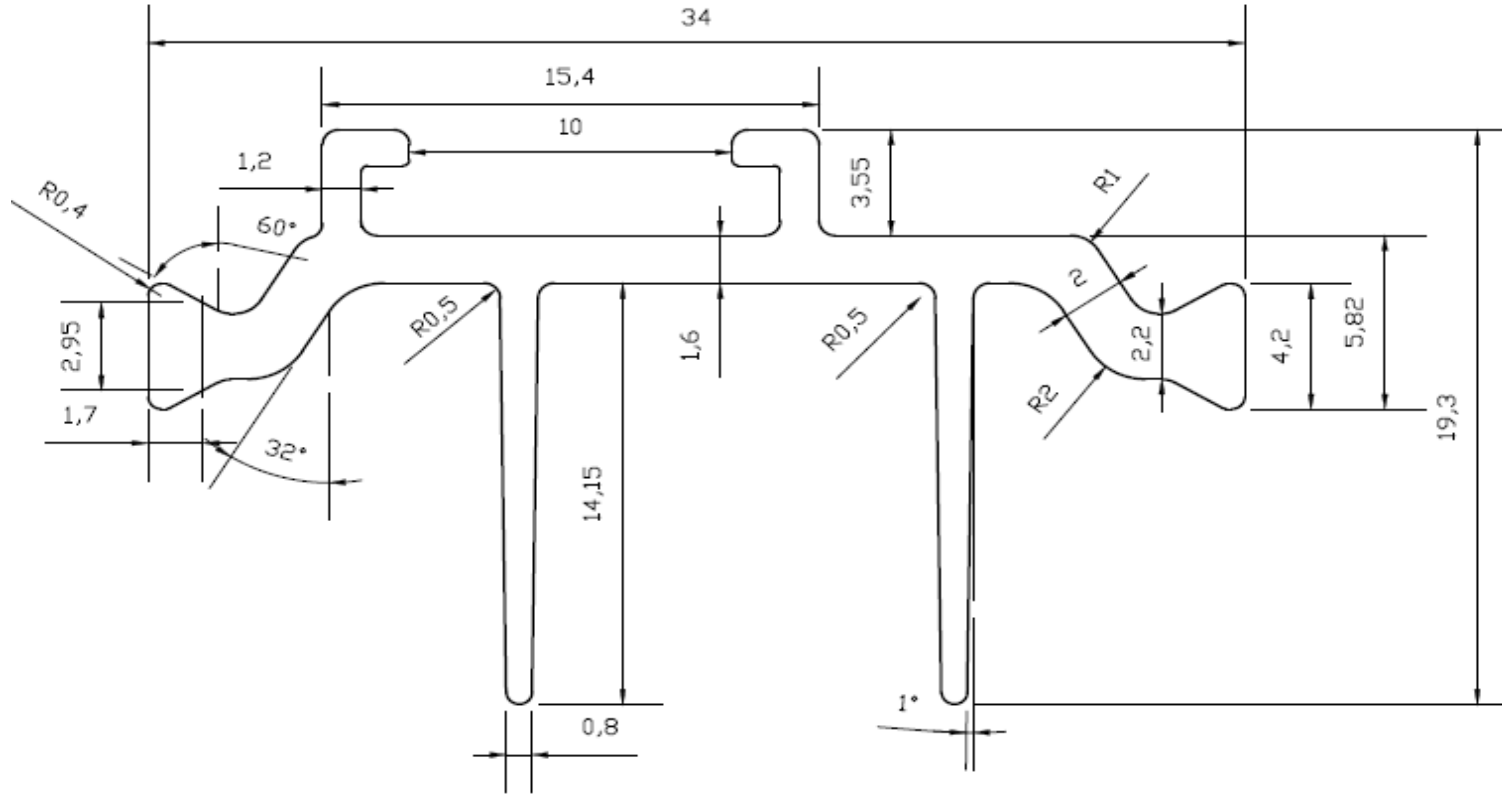


Tablo4



34113



|          |          |         |         |
|----------|----------|---------|---------|
| RADIUS = | \$ =R0.2 | % =R0.4 | & =R1   |
|          | * =R0.3  | # =R0.5 | ! =R1.5 |

|  |                           |
|--|---------------------------|
|  | TOLERANS<br>DIN 16941-3 A |
|--|---------------------------|

148 Gr/m